

# PARTS CATALOG

TS6.130  
Tractor Tier 4B

Print No. 696024863  
2/2016





# PARTS CATALOG

TS6.130  
Tractor Tier 4B

Print No. 696024863  
2/2016



**NEW HOLLAND**

AGRICULTURE

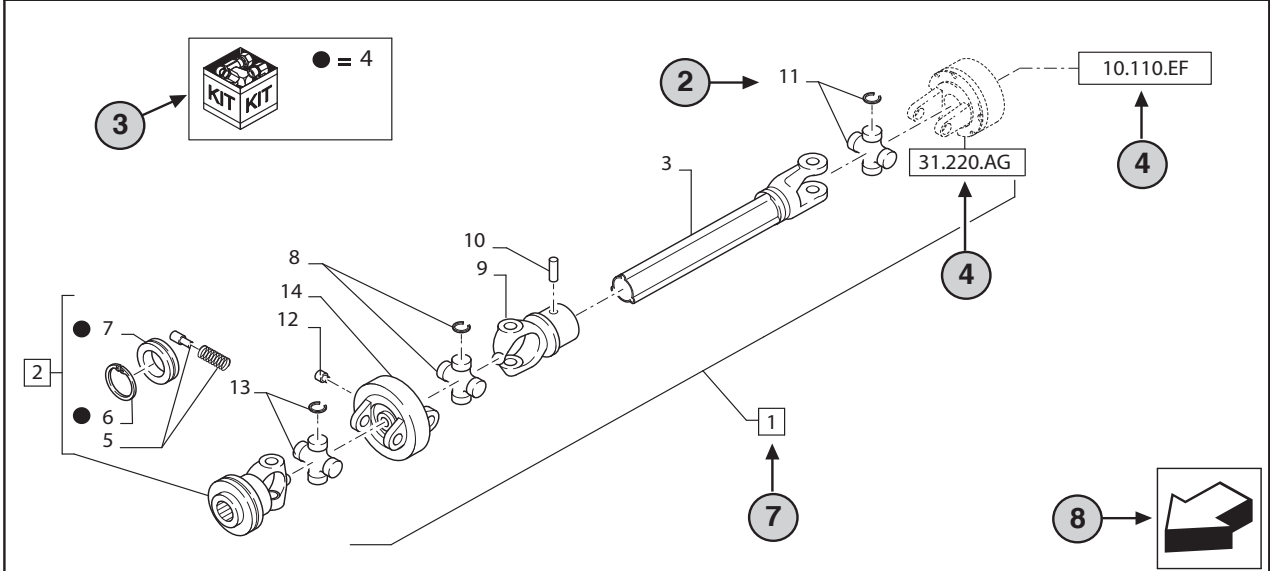
All rights reserved by **CNHi**.

The information contained in this catalogue is intended to be of a general nature only. **CNHi** may at any time and from time to time, for technical or other necessary reasons, modify any of the details or specifications of the product described in this catalogue.

To be sure of getting accurate, detailed and up-to-date information, an intending buyer should consult his nearest **CNHi** dealer or distributor.

Single item numeration method used in this catalogue may not be used without written consent from **CNHi**.

VAR - 123782, 789101,987654 - PTO - D650




**STANDARD** ← (6)

VAR - 123782, 789101,987654 - PTO - D650

(11) (12) (13) (14)

REF	FN	PART NUMBER	YR/SN	QTY	DESCRIPTION
1	1	86529340	(20)	1	SHAFT PTO, Incl 2 - 11
2	(15)	84014007		1	YOKE, Incl 4 -7 ← (7)
3	(16)	NSS		1	NOT SERVICED SEPARATELY, SHAFT, 350mm, Incl in 1
4		84004292		1	KIT, Seal Kit, Incl 6, 7 (17)
4		{84058743}		1	KIT, Seal Kit, Incl 6, 7
(2)	(18)	(19)	(21)	(22)	
		1 = FOR ITALY ONLY ← (5)			

**MODELS** ← (1)

- 1 Model Number and Model Description
- 2 Reference - Figure call-out of the part number.
- 3 Parts supplied in repair kits per symbol reference.
- 4 31.220.AD Part illustrated on the **Page** or in the **Figure** indicated, or calls for **Variations** or **Details**. Indicates components shown in detail elsewhere in the catalogue under the figure number shown.
- 5 Footnote references
- 6 Figure notes
- 7 1 2 Includes item(s) ..... (See Description within partlist).
- 8 Orientation. (Arrow indicates front of the machine). 
- 9 Figure description.
- 10 General information of the figure.
- 11 Figure title number that aligns with the SRT. Standard Repair Time.
- 12 **Sequence** code within the assembly.
- 13 Page number within the sequence code.
- 14 **Date** of printing or updating of page (month-year).
- 15 **Note** - Relating to the Part Number. There is a key to symbols and abbreviations at the bottom of the text page.
- 16 Non-serviced parts.
- 17 Further description of the part to help confirm identification.
- 18 Not available as service part.
- 19 Part Number.
- 20 To be defined.
- 21 Total **Quantity** of the Part referred to in the page.  
The quantity can be replaced by the following indications:  
**AR** = quantity as requested.
- 22 Part **Description**.
- 23 Variant Codes



---

## TABLE OF CONTENTS

---

00.000.00	01	PICTORIAL INDEX - MAIN SECTIONS
00.000.00	02	PICTORIAL INDEX - MAIN SECTIONS
00.000.00	03	PICTORIAL INDEX - MAIN SECTIONS
00.000.00	04	PICTORIAL INDEX - MAIN SECTIONS
00.000.05		PICTORIAL INDEX - MACHINE COMPLATION AND EQUIPMENT
00.000.10	01	PICTORIAL INDEX - ENGINE
00.000.10	02	PICTORIAL INDEX - ENGINE
00.000.10	03	PICTORIAL INDEX - ENGINE
00.000.18	01	PICTORIAL INDEX - CLUTCH
00.000.18	02	PICTORIAL INDEX - FLYWHEEL, DAMPER
00.000.21	01	PICTORIAL INDEX - TRANSMISSION
00.000.21	02	PICTORIAL INDEX - TRANSMISSION
00.000.23		PICTORIAL INDEX - 4WD LINES
00.000.25	01	PICTORIAL INDEX - FRONT MECHANICAL DRIVE
00.000.27		PICTORIAL INDEX - REAR DRIVE AXLE
00.000.31		PICTORIAL INDEX - IMPLEMENT POWER TAKE-OFF
00.000.33		PICTORIAL INDEX - BRAKES & CONTROLS
00.000.35	01	PICTORIAL INDEX - HYDRAULIC SYSTEMS
00.000.35	02	PICTORIAL INDEX - HYDRAULIC SYSTEMS
00.000.35	03	PICTORIAL INDEX - HYDRAULIC SYSTEMS
00.000.37	01	PICTORIAL INDEX - HITCHES, DRAWBARS AND IMPLEMENT COUPLINGS
00.000.37	02	PICTORIAL INDEX - HITCHES, DRAWBARS AND IMPLEMENT COUPLINGS
00.000.37	03	PICTORIAL INDEX - HITCHES, DRAWBARS AND IMPLEMENT COUPLINGS
00.000.39		PICTORIAL INDEX - FRAMES AND BALLASTING
00.000.41		PICTORIAL INDEX - STEERING
00.000.44	01	PICTORIAL INDEX - FRONT WHEELS
00.000.44	02	PICTORIAL INDEX - REAR WHEELS
00.000.50		PICTORIAL INDEX - CAB CLIMATE CONTROL
00.000.55	01	PICTORIAL INDEX - ELECTRICAL SYSTEMS
00.000.55	02	PICTORIAL INDEX - ELECTRICAL SYSTEMS
00.000.55	03	PICTORIAL INDEX - ELECTRICAL SYSTEMS
05.000.00		SECTION INDEX - MACHINE COMPLATION AND EQUIPMENT
05.100.01		INITIAL STOCKING LIST (LIST A)
05.100.02		INITIAL STOCKING LIST (LIST B)



---

**TABLE OF CONTENTS**

---

05.100.03	01	<b>FILTERS</b>
05.100.03	02	<b>CAPACITIES</b>
10.000.00	01	<b>SECTION INDEX - ENGINE</b>
10.000.00	02	<b>SECTION INDEX - ENGINE</b>
10.000.00	03	<b>SECTION INDEX - ENGINE</b>
10.001.AB		<b>VAR - 391265 -ENGINE OIL FILTER, CRANKCASE</b>
10.001.AD		<b>VAR - 391265 - ENGINE</b>
10.001.AF		<b>VAR - 391265 - ENGINE, PLUGS</b>
10.103.AH	01	<b>VAR - 390340 - ENGINE, FLYWHEEL, MECHANICAL REVERSE</b>
10.103.AH	02	<b>VAR - 330059, 330061 - ENGINE, FLYWHEEL, POWERSHUTTLE</b>
10.202.AB	01	<b>VAR - 391290 - AIR CLEANER</b>
10.202.AB	02	<b>VAR - 391290 - AIR CLEANER, EJECTOR</b>
10.202.AD	01	<b>VAR - 391290 - AIR CLEANER - AIR INTAKE PARTS</b>
10.202.AD	02	<b>VAR - 391290 - AIR INTAKE, DUCT</b>
10.216.AI	01	<b>VAR - 391270 - FUEL TANK</b>
10.216.AI	02	<b>VAR - 391270 - FUEL TANK PROTECTION, SUPPORT</b>
10.216.AI	03	<b>VAR - 391270 - COVER, SUPPLY MODULE</b>
10.216.BA	01	<b>VAR - 391270 - FUEL TANK, LINES</b>
10.254.AI	01	<b>VAR - 390199 - EXHAUST SYSTEM W/ MUFFLER</b>
10.254.AI	02	<b>VAR - 390199 - EXHAUST SYSTEM, SENSOR</b>
10.310.AA		<b>VAR - 391265 - INTERCOOLER, PIPE, LINE</b>
10.400.AY		<b>VAR - 391265 - RADIATOR &amp; HOSE</b>
10.400.BE		<b>VAR - 391265 - RADIATOR</b>
10.400.BF	01	<b>VAR - 391265 - RADIATOR &amp; RELATED PARTS</b>
10.400.BF	02	<b>VAR - 391265 - RADIATOR FAN SHROUD</b>
10.400.BH		<b>VAR - 391265 - WATER TANK</b>
10.414.AC		<b>VAR - 390018, 330009 - FAN</b>
10.500.AO	01	<b>VAR - 390199 - SELECTIVE CATALYTIC REDUCTION (SCR) AND MUFFLER</b>
10.500.AO	02	<b>VAR - 390199 - SCR COVERS</b>
10.500.AO	03	<b>VAR - 390199 - SCR SUPPORT</b>
10.500.AR	01	<b>VAR - 391270 - UREA TANK</b>
10.500.AR	02	<b>VAR - 391270 - PROTECTION, UREA TANK</b>
14.100.AU		<b>VAR - 390340, 330059, 330061 - PTO SHAFT</b>
18.000.00	01	<b>PICTORIAL INDEX - CLUTCH</b>

---

## TABLE OF CONTENTS

---

18.000.00	02	PICTORIAL INDEX - FLYWHEEL, DAMPER
18.100.AA	01	VAR - 330059, 390340 - CLUTCH, CABLE, MECHANICAL
18.100.AA	02	VAR - 330059, 330061 - CLUTCH, CABLE, POWERSHUTTLE
18.100.AF	01	VAR - 390340, 330059, 330061 - CLUTCH, PEDAL
18.100.AF	02	VAR - 390340 - CLUTCH, CONTROL, MECHANICAL REVERSE
18.100.AN	01	VAR - 336939, 390844 - PTO CLUTCH, CONTROL LEVER, CAB
18.100.AN	02	VAR - 336939, 390844 - PTO CLUTCH, CONTROL LEVER, W/O CAB
18.100.AN	03	VAR - 336939, 390844 - PTO CLUTCH, CONTROL LEVER, CAB
18.112.AC	01	VAR - 390340 - FLYWHEEL, DAMPER, MECHANICAL REVERSE
18.112.AC	02	VAR - 330059, 330061 - FLYWHEEL, DAMPER, POWERSHUTTLE
21.000.00	01	PICTORIAL INDEX - TRANSMISSION
21.000.00	02	PICTORIAL INDEX - TRANSMISSION
21.109.AD	01	VAR - 390340 - TRANSMISSION COOLER LINES, MECHANICAL
21.109.AD	02	VAR - 330059, 330061 - TRANSMISSION COOLER LINES, POWERSHUTTLE
21.109.AD	03	VAR - 330059, 330061, 390340 - TRANSMISSION, COOLER, LINES, MECHANICAL
21.109.AD	04	VAR - 330059, 330061, 390340 - TRANSMISSION, COOLER, LINES, POWERSHUTTLE
21.112.AC	01	VAR - 330061, 3903402, 330059 - TRANSMISSION HOUSING, POWERSHUTTLE
21.112.AC	02	VAR - 330059, 330061 - SELECTOR CASE, POWERSHUTTLE
21.114.AL	01	VAR - 390340 - TRANSMISSION HOUSING, MECHANICAL REVERSE
21.114.AL	02	VAR - 390340 - SELECTOR CASE, MECHANICAL
21.118.AB		VAR - 330331, 390331 - TRANSMISSION, PLUGS
21.120.AB	01	VAR - 390331, 330331 - GEARBOX, HOUSING
21.120.AB	03	VAR - 390331, 330331 - GEARBOX, HOUSING, HEAVY DUTY
21.130.AZ	01	VAR - 390340, 330059, 330061 - TRANSMISSION, CONTROLS, ROD & FORKS
21.130.AZ	02	VAR - 390340 - TRANSMISSION, RAIL ASSY, MECHANICAL
21.130.BC	01	VAR - 330059, 390340 - TRANSMISSION, CONTROL LEVER
21.130.BC	02	VAR - 330061 - TRANSMISSION, CONTROL LEVER, DUAL POWER
21.130.BC	03	VAR - 390340 - TRANSMISSION, CONTROL LEVER (FORWARD/REVERSE), MECHANICAL
21.130.BC	04	VAR - 390340 - TRANSMISSION, CONTROL LEVER (FORWARD/REVERSE), MECHANICAL, COMPONENTS
21.134.AB	01	VAR - 330059, 330061 - POWERSHUTTLE, VALVE
21.134.AB	02	VAR - 330059, 330061 - , POWERSHUTTLE, VALVE
21.134.AB	03	VAR - 330059, 330061 - TRANSMISSION CONTROL VALVE, POWERSHUTTLE, COMPONENTS
21.134.AB	04	VAR - 330059, 330061 - TRANSMISSION CONTROL VALVE, POWERSHUTTLE, COMPONENTS

---

## TABLE OF CONTENTS

---

21.134.AB	05	VAR - 330059, 330061 - TRANSMISSION CONTROL VALVE, POWERSHUTTLE, COMPONENTS
21.134.AH		VAR - 330059, 330061 - TRANSMISSION, CONTROL, ACTUATOR, POWERSHUTTLE
21.134.AI		VAR - 330059, 330061 - TRANSMISSION, TRANSMISSION (FORWARD/REVERSE), POWERSHUTTLE
21.140.AE	01	VAR - 391266, 337280 - GEARS & SHAFT 30 KPH/40 KPH
21.140.AE	02	VAR - 391266, 337280 - GEARS & SHAFT 30 KPH/40 KPH
21.140.AE	03	VAR - 391266, 337280 - GEARS & SHAFT 30 KPH/40 KPH
21.140.AE	04	VAR - 391266, 337280 - GEARS & SHAFT 30 KPH/40 KPH
21.140.AR		VAR - 390340 - FRONT COVER 8X8, MECHANICAL REVERSE
21.154.AA	01	VAR - 330059 - FRONT COVER, 8X8, POWERSHUTTLE
21.154.AA	02	VAR - 330061 - FRONT COVER 16X8, POWERSHUTTLE
21.154.AA	03	VAR - 330059 - CLUTCH, 8X8
21.154.AA	04	VAR - 330061 - CLUTCH, 16X8
21.160.AN		VAR - 330066 - CREEPER, GEARS & SHAFT
21.160.AP	01	VAR - 330066 - CREEPER, CONTROL VALVE
21.160.AP	02	VAR - 390266 - LESS CREEPER CONTROL
23.000.00		PICTORIAL INDEX - 4WD LINES
23.314.AH	03	VAR - 390509 - FRONT, DRIVE SHAFT, 4WD, HEAVY DUTY
23.314.AH	06	VAR - 390509 - FRONT, DRIVE SHAFT, GUARD, 4WD, GUARD, HEAVY DUTY
25.000.00	01	PICTORIAL INDEX - FRONT MECHANICAL DRIVE
25.100.AD	03	VAR - 390509 - FRONT AXLE, 4WD, HEAVY DUTY
25.100.AD	04	VAR - 390509 - FRONT AXLE, HOUSING, 4WD, HEAVY DUTY
25.100.AI		VAR - 390509 - AXLE SUPPORT, ARTICULATION
25.100.AV	03	VAR - 390509, 391404, 331497 - AXLE SUPPORT, 4WD, HEAVY DUTY
25.100.AV	04	VAR - 330403, 390373 - AXLE SUPPORT, 2WD, STANDARD DUTY & HEAVY DUTY
25.102.AC	01	VAR - 390509 - FRONT AXLE, DIFFERENTIAL CARRIER
25.102.AC	02	VAR - 390509 - FRONT AXLE, BEVEL GEAR
25.102.AC	03	VAR - 390509 - FRONT AXLE, SHIM KIT
25.102.AC	04	VAR - 390509 - FRONT AXLE, SHIM KIT
25.102.AD		VAR - 390509 - FRONT AXLE, DIFFERENTIAL GEAR, W/ STEERING SENSORS
25.108.AA		VAR - 390509 - FRONT AXLE, SHAFT
25.108.AB	01	VAR - 390509 - FRONT AXLE, PLANETARY REDUCER
25.108.AB	02	VAR - 390509 - FRONT AXLE, PLANETARY REDUCER
25.108.AG		VAR - 390509 - FRONT AXLE, STEERING KNUCKLE
25.108.AN		VAR - 390509 - FRONT AXLE, STEERING KNUCKLE

---

## TABLE OF CONTENTS

---

25.400.AD	02	VAR - 390373 - 2WD FRONT AXLE, EXTENSION, HEAVY DUTY
25.400.AH	02	VAR - 390373 - 2WD FRONT AXLE, HUB, HEAVY DUTY
25.400.AM	02	VAR - 390373 - 2WD FRONT AXLE, BODY, HEAVY DUTY
25.400.AQ	02	VAR - 390373 - 2WD FRONT AXLE, STEERING KNUCKLE, HEAVY DUTY
27.000.00		PICTORIAL INDEX - REAR DRIVE AXLE
27.100.AP	01	VAR - 390331, 330331 - TRANSFER BOX
27.100.AP	02	VAR - 390266 - TRANSFER BOX, CONTROL, 4WD, LESS CREEPER
27.100.AP	03	VAR - 330066 - TRANSFER BOX, CONTROL, 2WD, WITH CREEPER
27.100.AP	04	VAR - 330066 - TRANSFER BOX, CONTROL, 4WD, WITH CREEPER
27.106.AK	01	VAR - 390331, 330331 - DIFFERENTIAL LOCK
27.106.AK	02	VAR - 390331, 330331 - DIFFERENTIAL LOCK, CONTROL
27.120.AR		VAR - 330331 - WHEEL, HUB, ADAPTER
27.124.AB	01	VAR - 390331 - PLANETARY GEAR, FINAL DRIVE, STANDARD DUTY
27.124.AB	02	VAR - 390331, 330331 - PLANETARY GEAR, FINAL DRIVE, HEAVY DUTY
27.124.AD	01	VAR - 390331 - FINAL DRIVE HOUSING, STANDARD DUTY
27.124.AD	02	VAR - 390331, 330331 - FINAL DRIVE HOUSING, HEAVY DUTY
31.000.00		PICTORIAL INDEX - IMPLEMENT POWER TAKE-OFF
31.104.AR		VAR - 390340 - PTO, CONTROL VALVE LINE
31.110.AI	01	VAR - 390844 - PTO 540/1000 RPM, DRIVEN SHAFT
31.110.AK	02	VAR - 390844 - PTO 540/1000 RPM, POWERSHUTTLE, DRIVEN SHAFT
31.114.AI		VAR - 390340, 330059, 330061 - PTO CLUTCH, VALVE
31.114.AT	01	VAR - 390844 - PTO 540/1000 RPM, GEAR
31.114.AT	02	VAR - 336939 - PTO 540 RPM, GEAR
33.000.00		PICTORIAL INDEX - BRAKES & CONTROLS
33.110.AJ		VAR - 391610, 393315 - HAND BRAKE, LEVER
33.110.AP	01	VAR - 391610, 393315 - PARKING BRAKE, EXTERNAL CONTROL
33.120.AC		VAR - 390331, 330331 - BRAKE, ACTUATOR
33.202.AE	01	VAR - 390302 - BRAKE, HYD. LINE, CAB, LESS CREEPER
33.202.AE	02	VAR - 390302 - BRAKE, HYD. LINE, W/O CAB, LESS CREEPER
33.202.AE	04	VAR - 330066 - BRAKE, HYD. LINE, W/ CREEPER
33.202.AK		VAR - 390302 - BRAKE DISC
33.202.AN	01	VAR - 390302 - BRAKE RESERVOIR & LINES, CAB
33.202.AN	02	VAR - 390302 - BRAKE RESERVOIR & LINES, W/O CAB
33.202.AR		VAR - 390302 - BRAKE, PUMP, CYLINDER

---

TABLE OF CONTENTS

---

33.202.BN		VAR - 390302 - BRAKE PACKAGE, PEDAL
35.000.00	01	PICTORIAL INDEX - HYDRAULIC SYSTEMS
35.000.00	02	PICTORIAL INDEX - HYDRAULIC SYSTEMS
35.000.00	03	PICTORIAL INDEX - HYDRAULIC SYSTEMS
35.100.AB		VAR - 335784 - LESS HYDRAULIC LIFT, ASSY
35.100.BI	01	VAR - 330173, 719823 - HYDRAULIC LIFT, CYLINDER
35.100.BI	02	VAR - 390347 - LESS HYDRAULIC LIFT CYLINDER
35.104.AA		VAR - 391610, 393315 - HYDRAULIC PUMP
35.114.AA		VAR - 336784, 339784, 390344 - HYDRAULIC LIFT, CYLINDER
35.204.BE	01	VAR - 391267 - 2 REMOTE CONTROL VALVES
35.204.BE	02	VAR - 391267 - 2 REMOTE CONTROL VALVES
35.204.BE	03	VAR - 391267 - 2 REMOTE CONTROL VALVES
35.204.BE	04	VAR - 334195 - REMOTE CONTROL VALVE (3 VALVES)
35.204.BE	05	VAR - 334195 - REMOTE CONTROL VALVE (3 VALVES)
35.204.BE	06	VAR - 334195 - REMOTE CONTROL VALVE (3 VALVES)
35.204.BE	07	VAR - 336107 - REMOTE CONTROL VALVE (4 VALVES)
35.204.BE	08	VAR - 336107 - REMOTE CONTROL VALVE (4 VALVES)
35.204.BE	09	VAR - 336107 - REMOTE CONTROL VALVE (4 VALVES)
35.204.BE	10	KIT, VALVE BODY
35.204.BE	11	VAR - 429472 - REMOTE CONTROL VALVE (2 VALVES)
35.204.BE	12	VAR - 429472 - REMOTE CONTROL VALVE (2 VALVES)
35.204.BE	13	VAR - 429472 - REMOTE CONTROL VALVE (2 VALVES)
35.204.BE	14	VAR - 429473 - REMOTE CONTROL VALVE (3 VALVES)
35.204.BE	15	VAR - 429473 - REMOTE CONTROL VALVE (3 VALVES)
35.204.BE	16	VAR - 429473 - REMOTE CONTROL VALVE (3 VALVES)
35.204.BE	17	VAR - 429474 - REMOTE CONTROL VALVE (4 VALVES)
35.204.BE	18	VAR - 429474 - REMOTE CONTROL VALVE (4 VALVES)
35.204.BE	19	VAR - 429474 - REMOTE CONTROL VALVE (4 VALVES)
35.204.BJ	01	VAR - 391267, 336107, 334195 - REMOTE CONTROL VALVE, HOSES
35.204.BJ	02	VAR - 429472, 429473, 429474 - REMOTE CONTROL VALVE, HOSES
35.204.BL	01	VAR - 391267 - REMOTE CONTROL VALVE, 2 CONTROL LEVER, CAB
35.204.BL	02	VAR - 334195 - 3 REMOTE CONTROL VALVES, CONTROL LEVER, CAB
35.204.BL	03	VAR - 336107 - REMOTE CONTROL VALVE, 4 CONTROL LEVER, CAB
35.204.BL	04	VAR - 336107 - REMOTE CONTROL VALVE, 4 CONTROL LEVER, W/O CAB

---

## TABLE OF CONTENTS

---

35.204.BL	05	VAR - 334195, 391267, 429472, 429473 - COVER, TRIM, RH, 2 & 3 CONTROL LEVER, W/O CAB
35.204.BL	06	VAR - 391267 - 2 REMOTE CONTROL VALVES, ACTUATOR
35.204.BL	07	VAR - 334195 - REMOTE CONTROL VALVE, 3 ACTUATOR
35.204.BL	08	VAR - 336107 - REMOTE CONTROL VALVE, 4 ACTUATOR
35.204.BL	09	VAR - 391267 - REMOTE CONTROL VALVE, 2 CONTROL LEVER, W/O CAB
35.204.BL	10	VAR - 334195 - 3 REMOTE CONTROL VALVES, CONTROL LEVER, W/O CAB
35.204.BL	11	VAR - 393315 - REMOTE CONTROL VALVE, CLAMP, W/O CAB
35.204.BL	12	VAR - 429472 - REMOTE CONTROL VALVE, 2 CONTROL LEVER, CAB
35.204.BL	13	VAR - 429473 - REMOTE CONTROL VALVE, 3 CONTROL LEVER, CAB
35.204.BL	14	VAR - 429474 - REMOTE CONTROL VALVE, CONTROL LEVER, CAB
35.204.BL	15	VAR - 429472 - REMOTE CONTROL VALVE, 2 CONTROL LEVER, W/O CAB
35.204.BL	16	VAR - 429473 - REMOTE CONTROL VALVE, CONTROL LEVER, W/O CAB
35.204.BL	17	VAR - 429474 - REMOTE CONTROL VALVE, CONTROL LEVER, W/O CAB
35.204.BL	18	VAR - 429472 - REMOTE CONTROL VALVE, 2 ACTUATOR
35.204.BL	19	VAR - 429473 - REMOTE CONTROL VALVE, 3 ACTUATOR
35.204.BL	20	VAR - 429474 - REMOTE CONTROL VALVE, 4 ACTUATOR
35.204.BS	01	VAR - 718173, 718180 - MID MOUNT VALVE KIT, VALVE
35.204.BS	02	VAR - 330196 - MID MOUNT VALVE KIT
35.204.BS	03	VAR - 330196 - MID-MOUNT CONTROL VALVE
35.204.BS	04	VAR - 429475 - MID-MOUNT CONTROL VALVE
35.701.AD		VAR - 330196 - FRONT LOADER, ARM, QUICK COUPLER
37.000.00	01	PICTORIAL INDEX - HITCHES, DRAWBARS AND IMPLEMENT COUPLINGS
37.000.00	02	PICTORIAL INDEX - HITCHES, DRAWBARS AND IMPLEMENT COUPLINGS
37.000.00	03	PICTORIAL INDEX - HITCHES, DRAWBARS AND IMPLEMENT COUPLINGS
37.100.AA	01	VAR - 330937, 337890, 719430 - SWINGING DRAWBAR, WITH CLEVIS
37.100.AA	02	VAR - 392905, 337890 - SWINGING DRAWBAR, LESS CLEVIS
37.106.AG		VAR - 390344, 336784, 339784 - LIFT CONTROL, LEVER
37.108.AE	01	VAR - 336784, 339784, 390344 - LIFT LINK, ROD, EXTERNAL CONTROL
37.108.AE	02	VAR - 330845, 718181 - EXTERNAL CONTROL, LEVEL
37.110.AE		VAR - 336784, 339784, 390344 - HYDRAULIC, LIFT ARM
37.110.AP	01	VAR - 336784, 339784, 390344 - HYDRAULIC LIFT, COVER
37.110.AP	02	VAR - 336784, 339784, 390344 - HYDRAULIC LIFT, COVER, FITINGS
37.120.AF	01	VAR - 336784, 339784, 390344 - STABILIZER
37.120.AF	02	VAR - 336784, 339784, 719451 - CYLINDER, HYDRAULIC LIFT (2449 KG)

---

## TABLE OF CONTENTS

---

37.120.AF	03	VAR - 339784, 719452 - DOUBLE CYLINDER, HYDRAULIC LIFT (3266 KG)
37.120.AO	01	VAR - 390351 - LOWER LINK, ARM
37.120.AO	02	VAR - 390351 - LOWER LINK, ARM
37.120.AO	03	VAR - 330148 - LOWER LINK, ARM, QUICK-HITCH
37.120.AV	01	VAR - 390351 - 3 POINT HITCH, LIFTING ROD
37.120.AX	01	VAR - 390351 - 3 POINT HITCH
37.120.AX	02	VAR - 330148 - 3 POINT HITCH, QUICK-HITCH
39.000.00		PICTORIAL INDEX - FRAMES AND BALLASTING
39.140.AF	01	VAR - 330213, 330214, 330218, 334923, 111600 - FRONT WEIGHT (248KG)
39.140.AF	02	VAR - 330213, 330214, 330218, 334923 - FRONT WEIGHT (372KG)
39.140.AF	03	VAR - 330213, 330214, 330218, 334923, 719665 - FRONT WEIGHT (496KG)
39.140.AF	05	VAR - 390215 - FRONT WEIGHT CARRIER, CAP
39.140.AL	01	VAR - 330471 - REAR WHEEL BALLAST (240KG)
39.140.AL	02	VAR - 330138 - REAR WHEEL BALLAST (240KG) FOR 30" TIRES
39.140.AL	03	VAR - 332497 - REAR WHEEL BALLAST (480KG), FLANGE AXLE
39.140.AL	04	VAR - 336935 - REAR WHEEL BALLAST (390KG), BAR AXLE
39.140.AL	05	VAR - 334354 - REAR WHEEL BALLAST (650KG), BAR AXLE
41.000.00		PICTORIAL INDEX - STEERING
41.101.AB	01	VAR - 393315, 391644 - STEERING WHEEL, STEERING COLUMN
41.101.AB	02	VAR - 391644,393315 - GAS STRUT, STEERING COLUMN
41.101.AB	03	VAR - 391644,393315 - STEERING COLUMN
41.101.AB	04	VAR - 330644 - TELESCOPIC, STEERING COLUMN
41.106.AB	02	VAR - 390373 - 2WD FRONT AXLE, PITMAN, HEAVY DUTY
41.106.AC	02	VAR - 390373 - 2WD FRONT AXLE, ROD, HEAVY DUTY
41.106.AD		VAR - 390509 - FRONT AXLE, STEERING TIE-ROD
41.200.AA	01	VAR - 390340 - HOSE, STEERING ASSY
41.200.AA	02	VAR - 330059, 330061 - HOSE, STEERING ASSY, POWERSHUTTLE
41.200.AL		VAR - 330059, 330061 - HYDRAULIC STEERING, OIL FILTER, POWERSHUTTLE
41.200.AO	01	VAR - 390340 - TUBE, STEERING ASSY
41.200.AO	02	VAR - 330059, 330061 - TUBE, STEERING ASSY, POWERSHUTTLE
41.200.AO	03	VAR - 390340, 330059, 330061 - FRONT, STEERING LINE, 4WD, HEAVY DUTY
41.200.CA	01	VAR - 391292, 390509, 330403, 390373 - STEERING VALVE, CAB
41.200.CA	02	VAR - 330403, 390373, 390509, 391292 - STEERING VALVE, W/O CAB
41.216.AB	03	VAR - 390373 - 2WD FRONT AXLE, OPERATING CYLINDER, HEAVY DUTY

---

## TABLE OF CONTENTS

---

41.216.AN		VAR - 390509 - FRONT AXLE, STEERING CYLINDER
41.216.AV	01	VAR - 390340 - HOSE, STEERING ASSY
41.216.AV	02	VAR - 390340 - STEERING ASSY, MECHANICAL, 4WD
41.216.AV	05	VAR - 390373 - STEERING, HYDRAULIC LINE, 2WD, HEAVY DUTY
44.000.00	01	PICTORIAL INDEX - FRONT WHEELS
44.000.00	02	PICTORIAL INDEX - REAR WHEELS
44.511.AE	02	VAR - 818052 - FRONT, WHEEL (W8LX16HD)
44.511.AE	07	VAR - 824030 - FRONT, WHEEL (W12X24)
44.511.AE	08	VAR - 824863 - FRONT, WHEEL (W10LX34)
44.511.AE	11	VAR - 828220 - FRONT, WHEEL (W10X28)
44.511.AE	13	VAR - 828240, 824130 - FRONT, WHEEL (W12X28)
44.511.AE	15	VAR - 828250 - FRONT, WHEEL (W12X28)
44.511.AE	18	VAR - 824864 - FRONT, WHEEL (W9X18)
44.511.AE	21	VAR - 824862 - FRONT, WHEEL (W8X34)
44.511.AE	22	VAR - 824030 - FRONT, WHEEL (W12X24)
44.520.AB	01	VAR - 831859 - REAR, WHEEL (W10X42)
44.520.AB	02	VAR - 831869 - REAR, WHEEL (W10X42)
44.520.AB	04	VAR - 832289, 832189 - REAR, WHEEL (DW15LX34)
44.520.AB	05	VAR - 833460, 832860 - REAR, WHEEL (DW15LX38)
44.520.AB	07	VAR - 836076 - REAR, WHEEL (DW10X46)
44.520.AB	08	VAR - 836560 - REAR, WHEEL (DW15LX34)
44.520.AB	10	VAR - 838010 - REAR, WHEEL (W10X42)
44.520.AB	11	VAR - 838020 - REAR, WHEEL (DW20X30)
44.520.AB	12	VAR - 838040 - REAR, WHEEL (DW20X30)
44.520.AB	13	VAR - 839060 - REAR, WHEEL (DW16X38)
44.520.AB	15	VAR - 839150 - REAR, WHEEL (W16LX24)
44.520.AB	16	VAR - 848070 - REAR, WHEEL (DW15LX34)
44.520.AB	17	VAR - 848080 - REAR, WHEEL (DW16X38)
44.520.AB	20	VAR - 836078 - REAR, WHEEL (W13X46)
44.520.AB	21	VAR - 836544 - REAR, WHEEL (DW15LX34)
44.520.AB	22	VAR - 839050 - REAR, WHEEL (DW16X38)
50.000.00		PICTORIAL INDEX - CAB CLIMATE CONTROL
50.100.AP	01	VAR - 390646 - AIR CONDITIONER
50.100.AP	02	VAR - 390646 - AIR CONDITIONER, COMPONENTS



---

TABLE OF CONTENTS

---

50.100.AP	03	VAR - 390646 - AIR CONDITIONER, COMPONENTS
50.100.AQ	01	VAR - 390646 - HEATER, LINE
50.100.AQ	02	VAR - 391265 - ENGINE, HEATING ELEMENT
50.200.AA		VAR - 390646 - AIR CONDITIONER, COMPRESSOR
50.200.AB		VAR - 390646 - AIR CONDITIONER, COMPRESSOR, LINE
50.200.AK		VAR - 390646 - AIR CONDITIONER, CONDENSER
55.000.00	01	PICTORIAL INDEX - ELECTRICAL SYSTEMS
55.000.00	02	PICTORIAL INDEX - ELECTRICAL SYSTEMS
55.000.00	03	PICTORIAL INDEX - ELECTRICAL SYSTEMS
55.011.01		VAR - 391270 - SUPPLY MODULE
55.011.AC		VAR - 391270 - FUEL TANK, SENDER UNIT
55.014.AC		VAR - 391290 - AIR CLEANER, SENSOR
55.015.AA		VAR - 391265 - ENGINE, CONTROL UNIT
55.015.AB		VAR - 391610, 393315 - HARNESS, ENGINE
55.024.AA	01	VAR - 391610, 390266 - TRANSMISSION, HARNESS
55.024.AA	02	VAR - 391610 - TRANSMISSION, HARNESS, BRACKET
55.024.AA	03	VAR - 393315, 390266 - TRANSMISSION, HARNESS, W/O CAB
55.031.AF	01	VAR - 391610, 393315 - PARKING BRAKE, WARNING LIGHT, SWITCH
55.031.AF	02	JUMPER, HAND BRAKE
55.040.AH	01	VAR - 390509, 391292 - 4WD, SWITCH, CAB
55.040.AH	02	VAR - 390509, 391292 - 4WD, SWITCH, W/O CAB
55.040.AH	03	VAR - 393315 - SWITCH, W/O CAB
55.040.AH	04	VAR - 330403, 390373 - 2WD, PLUG, CAB
55.040.AH	05	VAR - 330403, 390373 - 2WD, PLUG, W/O CAB
55.040.AH	06	VAR - 330066 - CREEPER SWITCH, CAB
55.040.AH	07	VAR - 330066 - CREEPER SWITCH, W/O CAB
55.040.AH	08	VAR - 391610 - SWITCH, CAB
55.050.AA		VAR - 390646 - AIR CONDITIONER, PRESSURE SWITCH
55.050.AY		VAR - 391610 - WIRE HARNESS, BLOWER, CAB
55.051.AA		VAR - 391610 - AIR CONDITIONER, CONTROL PANEL, CAB
55.100.AX		VAR - 391610, 393315 - FRONT, WIRE HARNESS
55.100.BE		VAR - 391610, 393315 - GROUND CABLE
55.100.DO	01	VAR - 393315, 330692 - FUSE, RELAY, MAIN FRAME, W/O CAB
55.100.DO	02	VAR - 391610, 330692 - FUSE, RELAY, MAIN HARNESS, CAB

---

## TABLE OF CONTENTS

---

55.100.DO	03	VAR - 390509, 391292, 330066 - ELECTRICAL, CONTROL, CREEPER
55.100.DO	04	VAR - 330196, 393315, 718180, 718173 - FUSE, CONTROL, LOADER
55.100.DP	01	VAR - 330066 - HARNESS, CREEPER
55.100.DP	02	JUMPER, HARNESS, CREEPER
55.100.DP	03	VAR - 390266 - ELECTRIC SYSTEM CONTROL, LESS CREEPER
55.201.AE		VAR - 391265 - STARTER MOTOR
55.201.AH	01	VAR - 391610, 393315 - IGNITION SWITCH
55.201.AH	02	VAR - 391610, 393315 - IGNITION KEY
55.201.AH	03	VAR - 393315 - IGNITION KEY, CAP
55.202.AX		VAR - 391265 - THERMOSTARTER CIRCUIT SWITCH AND RELAY
55.301.AA		VAR - 390505 - ALTERNATOR
55.302.AG		VAR - 390747 - BATTERY
55.302.AV		VAR - 390747 - POS BATTERY CABLE
55.302.AW		VAR - 390747 - NEG BATTERY CABLE
55.404.AQ		VAR - 330007 - HEADLAMP
55.404.BB	01	VAR - 391610, 393315 - INDICATOR LIGHT, REAR LIGHT
55.404.BB	02	VAR - 330007 - INDICATOR LIGHT, CAB
55.404.BB	03	VAR - 330007 - INDICATOR LIGHT, W/O CAB
55.404.BM		VAR - 391293 - TAIL LAMP, W/O CAB
55.404.BS	01	VAR - 336924, 390786 - WORK LIGHT, CAB
55.404.BS	02	VAR - 336924 - WORK LIGHT, REAR, CAB
55.404.BS	03	VAR - 336924 - EXTENSION, WORK LIGHT, CAB
55.404.DB	01	VAR - 391610 - FLASHER UNIT, CAB
55.404.DB	02	VAR - 393315 - FLASHER UNIT, W/O CAB
55.405.AX		VAR - 391610, 393315 - INDICATOR LIGHT, SWITCH
55.405.CF	01	VAR - 391610, 393315 - LIGHT SWITCH
55.405.CF	02	HAZARD LIGHT SWITCH, JUMPER
55.405.CW		VAR - 391610 - BRAKE, SWITCH, CAB
55.408.AG		VAR - 330007 - HORN
55.408.BE		VAR - 330692 - REVERSE ALARM
55.408.BG		VAR - 330692 - REVERSE ALARM, SWITCH
55.408.BL		VAR - 336923 - DRIVER SEAT (W/ ARMREST & AIR SUSPENSION 15° SWIVEL), SWITCH, CAB
55.408.CB	01	VAR - 336936 - ARM, MARKER, LIGHT, W/O CAB
55.408.CB	02	VAR - 336936 - ARM, MARKER, LIGHT, CAB

---

TABLE OF CONTENTS

---

55.408.CB	03	VAR - 391206 - LIGHT, PLUG
55.415.AA		VAR - 330196 - MID MOUNT VALVE KIT, HARNESS
55.510.AF	01	VAR - 391610 - MAIN HARNESS, CAB
55.510.AF	02	VAR - 391610 - MAIN HARNESS, BRACKET, CABLE CLIP, CAB
55.510.AH		VAR - 334743, 391126 - HARNESS, ROOF-MOUNTED, CAB
55.510.BM	01	VAR - 391610 - SOCKET, CAB
55.510.BM	02	VAR - 391610 - SOCKET, CAB
55.510.BM	03	VAR - 391610 - SOCKET, CAB
55.510.BM	04	VAR - 393315 - SOCKET, W/O CAB
55.510.BM	05	VAR - 391610, 393315 - POWER SOCKET, BRACKET
55.510.BO	01	VAR - 393315 - MAIN HARNESS, W/O CAB
55.510.BO	02	VAR - 393315 - MAIN HARNESS, BRACKET, CABLE CLIP, W/O CAB
55.511.AB		VAR - 391610, 393315 - HEADLAMP, WIRE HARNESS
55.512.AA		VAR - 337777, 392295 - RADIO, CAB
55.512.AD	01	VAR - 391610 - CIGARETTE LIGHTER, CAB
55.512.AD	02	VAR - 391610 - CIGARETTE LIGHTER, CAB
55.512.BG	01	VAR - 391610 - SWITCH, PLASTIC PLUG
55.512.BG	02	VAR - 393315 - SWITCH, PANEL, W/O CAB
55.512.BG	03	VAR - 391610 - SWITCH, PANEL, CAB
55.512.BG	04	VAR - 330642 - SWITCH, WIPER, PANEL, CAB
55.512.BQ		VAR - 391610, 393315 - INSTRUMENT CLUSTER
55.512.CL		VAR - 330196, 718173, 718180 - MID MOUNT VALVE, JOYSTICK
55.514.AA		VAR - 391126, 334743 - INTERIOR LIGHT, CAB
55.514.AW		VAR - 391610 - SWITCH, INTERIOR LIGHT, CAB
55.518.AH		VAR - 330642 - REAR, WIPER ARM, CAB
55.518.AI		VAR - 330642 - REAR, WIPER, MOTOR, CAB
55.518.AP	01	VAR - 390642 - WINDSHIELD WASH RESERVOIR, HOSE, CAB
55.518.AP	02	VAR - 390642 - WINDSHIELD WASH RESERVOIR, HOSE, CAB
55.518.AT	01	VAR - 390642 - WINDSHIELD WASH RESERVOIR, CAB
55.518.AT	02	VAR - 390642 - WINDSHIELD WASH RESERVOIR, CAB
55.518.AZ		VAR - 391610 - WINDSHIELD WIPER, MOTOR, CAB
55.520.BA	01	VAR - 391610 - MULTIFUNCTION SWITCH, CAB
55.520.BA	02	VAR - 393315 - MULTIFUNCTION SWITCH, W/O CAB
55.525.AK		VAR - 391610, 393315 - ACCELERATOR PEDAL

**Thanks very much for your reading,  
Want to get more information,  
Please click here, Then get the complete  
manual**

**JustClickHere** 

**NOTE:**

**If there is no response to click on the link above,  
please download the PDF document first, and then  
click on it.**

**Have any questions please write to me:  
[admin@servicemanualperfect.com](mailto:admin@servicemanualperfect.com)**